

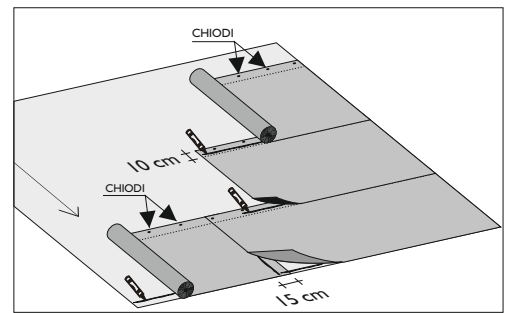
INTRODUCTION

The easy and correct installation of asphalt shingles depends entirely on the roof deck being smooth, continuous, clean, and dry .

The roof deck can be built with wood materials (such as Tegodeck, seasoned tongue or groove planks , plywood, etc.) properly supported.

PRELIMINARY OPERATIONS

On wooden substrates it is good practice to apply a bituminous underlayer membrane, also self-adhesive, such as «Safety» or «Startbar» following the procedures described on the side. It is necessary to glue and fix with nails under the overlap of the sheets.



MARKING OUT THE ROOF

- Snap a chalk line "xy" at right angles to the direction of highest pitch (usually parallel to the ridge and the gutter and at 34 cm (13" 3/8) from the latter).
- Identify on this line a point A near to the center of the roof.
- Mark points B and C, equidistant from A (for example at 150 cm (5')).
- Starting from B and C by using a chalk line as a compass and on the same radius, mark point D as near as possible to the ridge.
- Snap a chalk line to connect A with D.
- Parallel to the line AD, mark a line "z" at 63,7 cm (25") from the left side of the roof.
- Mark a parallel "k" at 18,2 (7" 1/8) cm from the line "z".
- Starting from the line xy, mark horizontal lines, parallel to the line xy, at a distance of 24,5 cm (9" 11/16) between each other , up to the ridge (Fig. 1).

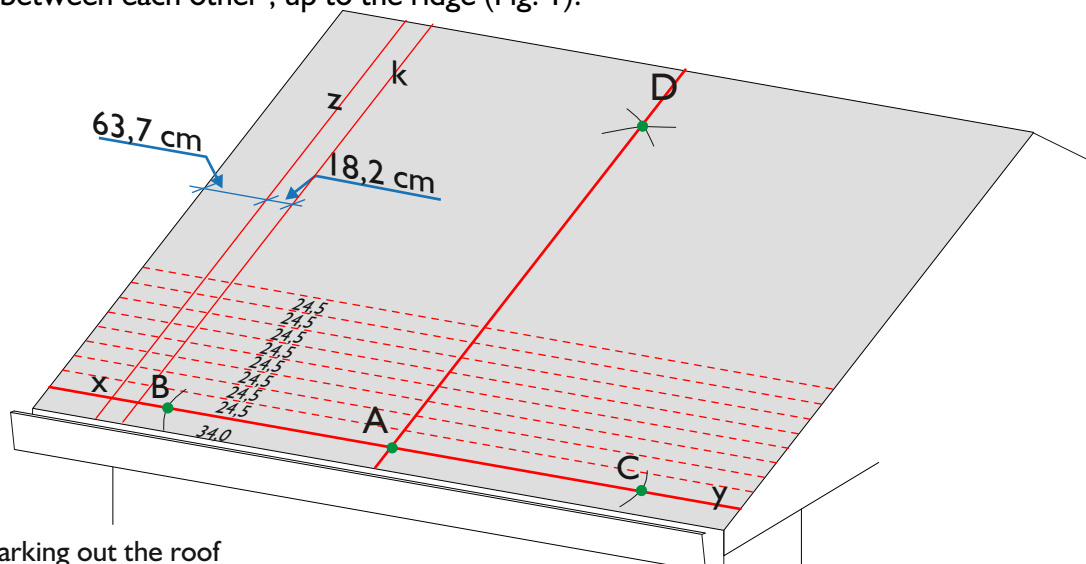


Fig. 1 - Marking out the roof

INSTALLATION

- Along the eaves apply Start Coppo self-adhesive membrane (Fig.2).
- The installation of the first row of shingles begins aligning the shingle to the line z (Fig.2).
- (1) Trim the excess part, remove the lower protection of the shingle nail into position (Fig.2)
- (2) Remove the upper protection from the shingle and apply another Master Coppo shingle on the right side, overlapping the previous one (Fig.2)
- Repeat steps 1-2 to complete 1° row.

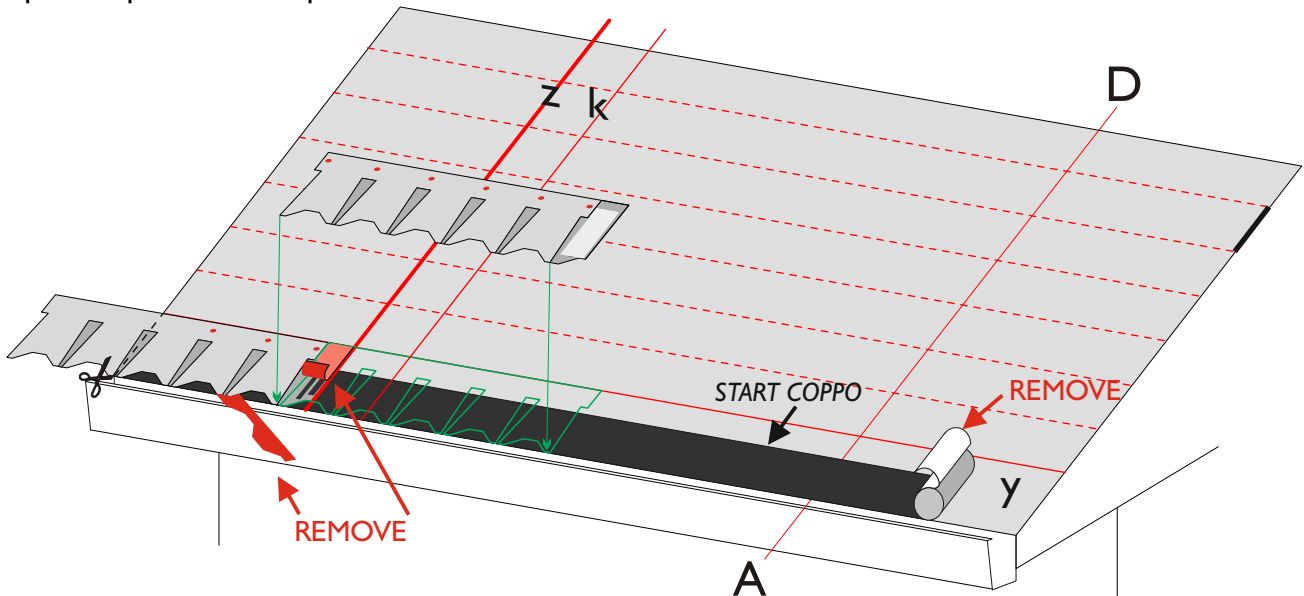


Fig.2 – Start Coppo and 1° course of Master Coppo shingle.

- The installation of the second course of shingles begins aligning the Master Coppo shingle to the line "k" (Fig.3). Repeat steps 1-2 to complete 2° row.
- This installation method shall be repeated, alternating row by row, the alignment to the vertical lines, "z" and "k".

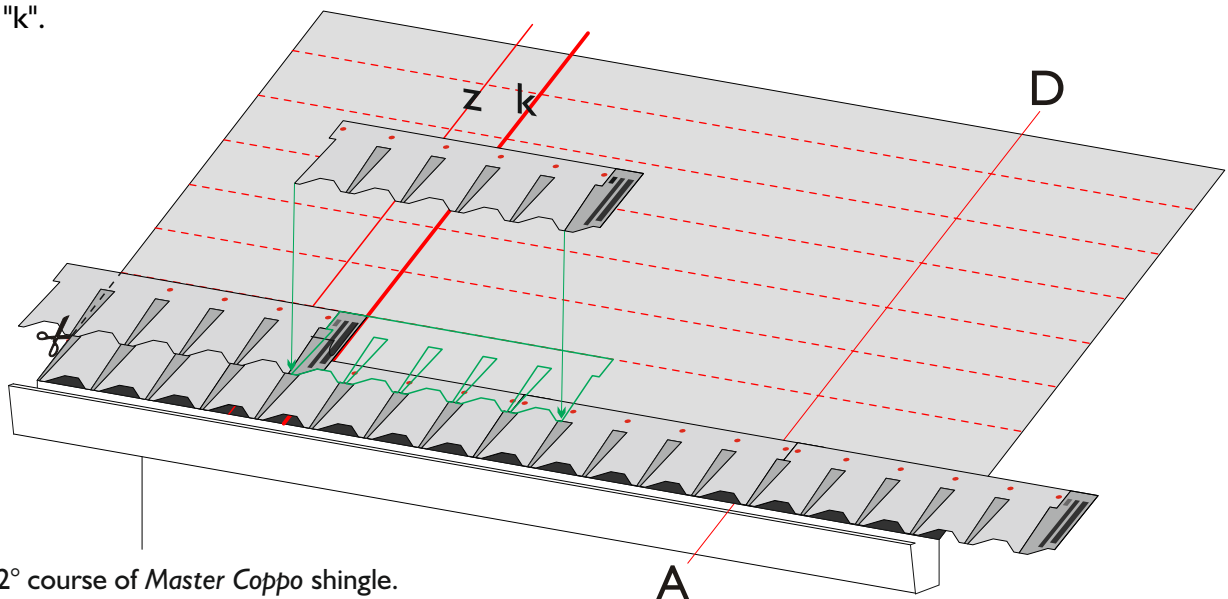


Fig.3 – 2° course of Master Coppo shingle.

NB:

Always remove the protective films placed underneath the Master Coppo shingle and the overlap joint on the top right hand side before installing the next Master Coppo shingle.

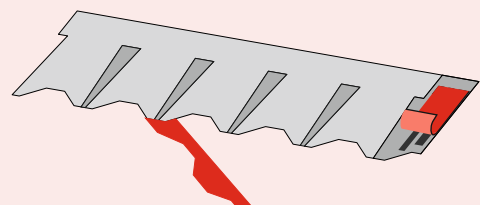


Fig.4 - Protective films of the Master Coppo shingle.

SLOPES

Minimum slope for the installation of the shingles with nails is 35% (19 degrees)
For roofs in the mountainside or with a pitch longer than 7,00 ml, please visit our web site or contact our Customer Service. For pitch lengths up to 10 m, the reference slope generally rises to 40% (22 °).

NAIL: Position and type

Use large headed galvanized ring shank roofing nails of a suitable length.
Apply 6 nails per *Master Coppo* shingle, placing them precisely, as in Fig.5.
Caution: For slopes over 160% (60 degrees) apply 11 nails per shingle, and place them precisely as per Fig. 6.

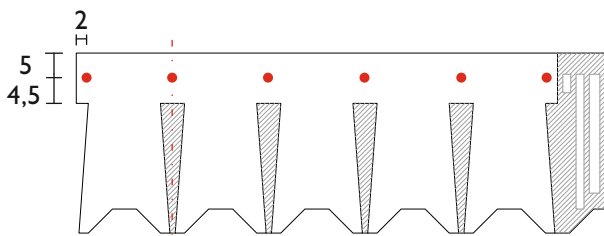


Fig. 5

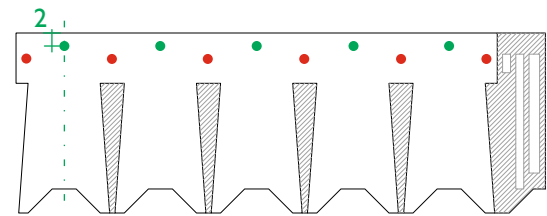


Fig. 6

HIP AND RIDGE

Complete installation from either side of the ridge trimming the shingle at the ridge line, if required.
The ridge is waterproofed by the application of *Top Roll* self adhesive, self healing membrane, after removal of the protective film, see Fig.7 and Fig.9.

Remove the protective film from the *Colmo Coppo* ridge, position and fix it with 4 (35mm [1 3/8"] long) nails, exposure is 20 cm (8") see Fig.8-9.

Colmo Coppo ridge must be correctly positioned and fastened in place, if necessary by applying pressure.

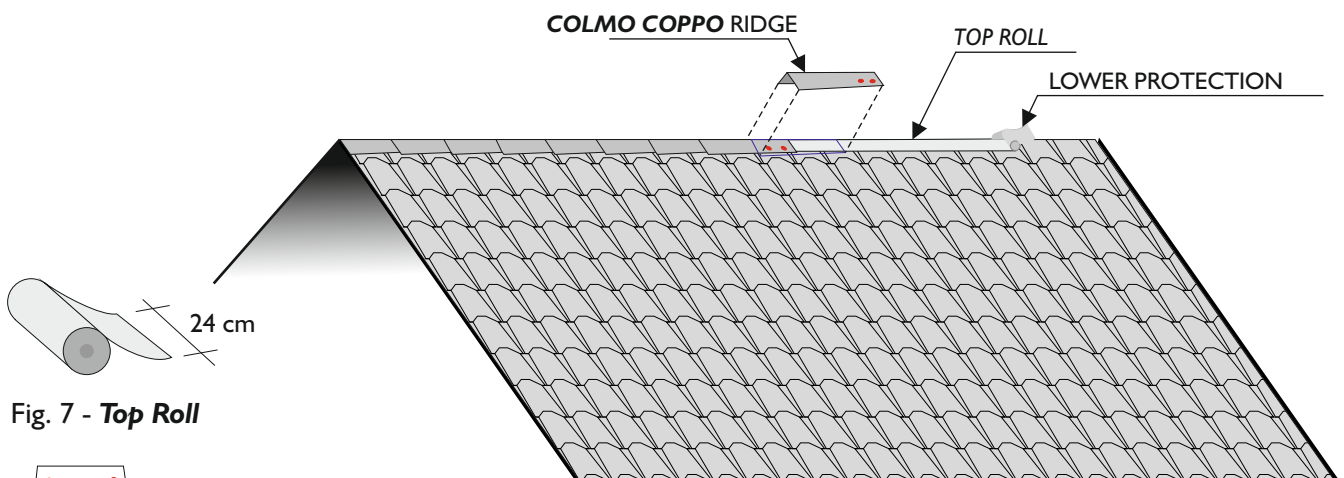


Fig. 7 - *Top Roll*

Fig. 9 - Installation of the ridges

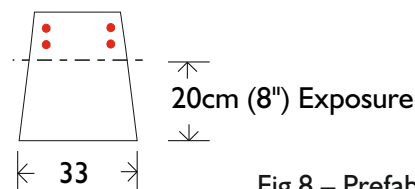


Fig.8 – Prefabricated Ridge *Colmo Coppo*

VALLEY

START COPPO VALLEY (Fig. 10): torch apply along the center line of the valley a 100 cm (39^{3/8}) wide Safety Poly 4 membrane. Along the center line of the valley install **Start Coppo** self adhesive membrane by removing the protective film.

Master Coppo is nail installed on the roof area as usual, up to 40 cm (16") either side of the center line of the valley. **Master Coppo** is then torch applied and, over **Start Coppo**, **Bitustik** is used. Trim **Master Coppo** shingles to form an open valley over the **Start Coppo** having a width of approximately 10 cm (4")

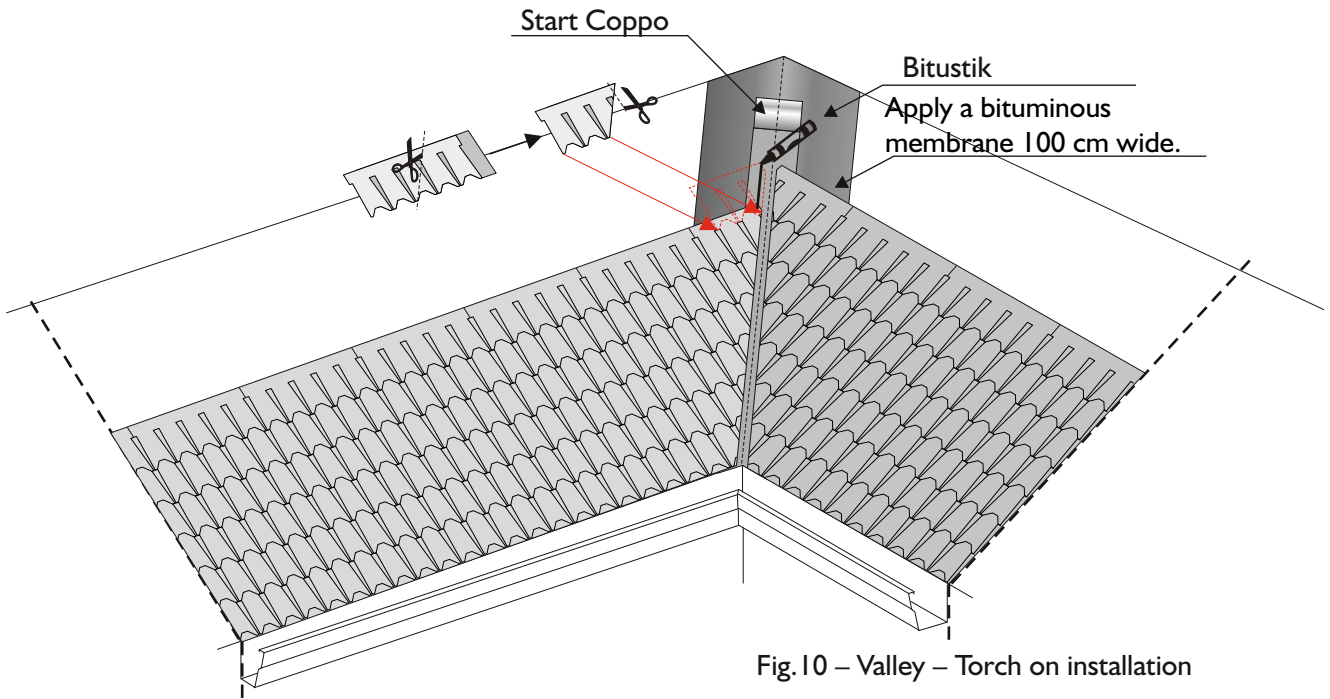


Fig.10 – Valley – Torch on installation

AQUA ROLL VALLEY (Fig. 12): Apply the **Aqua Roll** over the valley by removing the protective strips from it's underside.

Install **Master Coppo** using nails up to 35 cm (14") from valley center line. Trim **Master Coppo** shingles over the aqua Roll to form an open valley of approx 10 cm (4"). After completing the installation and trimming of the shingles, remove the upper protective film from the Aqua Roll and firmly press **Master Coppo** shingles to ensure proper adhesion.

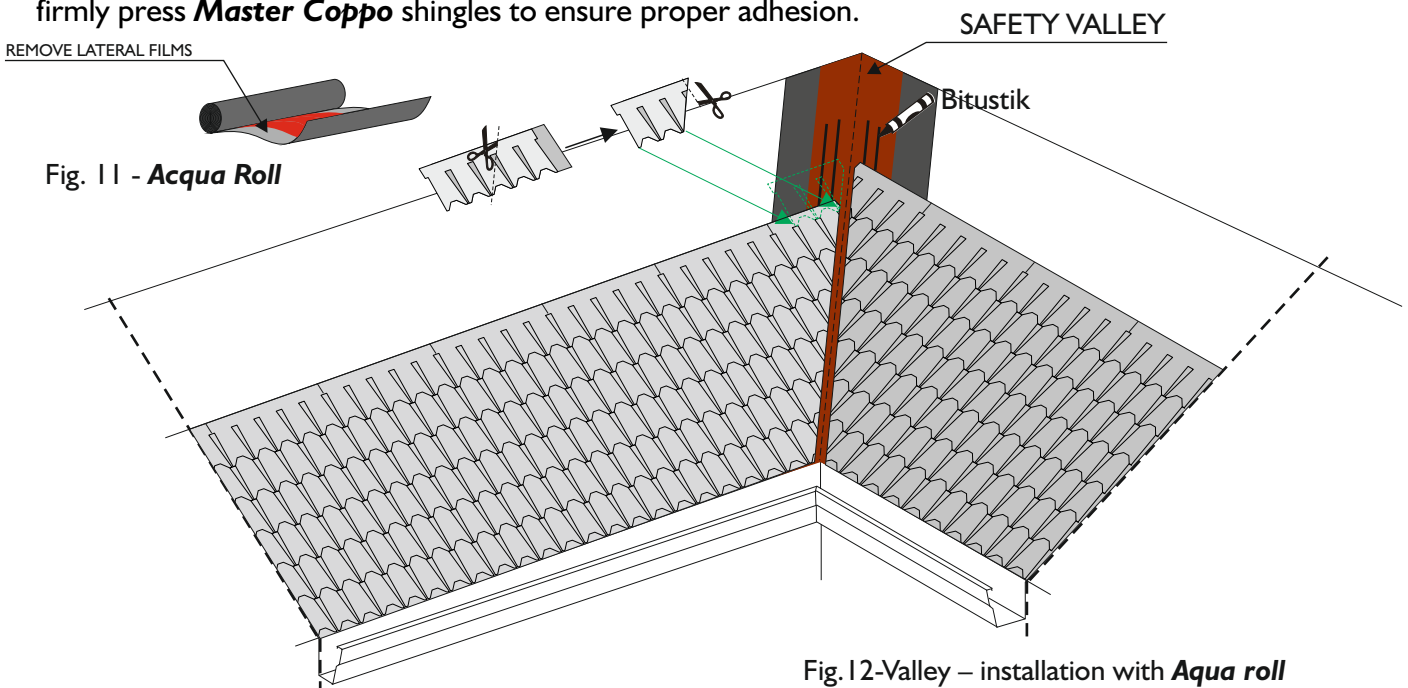


Fig. 11 - Aqua Roll

Fig.12-Valley – installation with Aqua roll

DETAILS

All the details (junctions, valleys, chimneys, etc..) can be carried out with flashings (copper, painted metal sheets, etc.) or bituminous membrane, and everything will be simplified by using the products TEGOLA CANADESE.

Roof accessories such as: roof windows, snow stoppers, aerators and other accessories from Tegola Canadese make the installation and finishing of the roof easier.

The shingles MASTER COPPO, are supplied with self-adhesive tabs that soften with the heat and stick the shingles together, avoiding the wind to lift them up. With cold weather, in the presence of wind, in humid conditions ... this does not automatically happen and the adhesive points have to be heated up with a torch , and the shingles have to be pressed down to assure that they stick together.

WARNING

- DO NOT STORE THE PALLET ONE ON THE TOP OF THE OTHER TO AVOID THAT THE BITUMINOUS SHINGLES STICK TOGETHER INSIDE THE BUNDLE.
- DO NOT EXPOSE THE PALLETS TO ATMOSPHERIC AGENTS NOR TO HEAT.
- USE ONE SINGLE PRODUCTION CODE FOR THE INSTALLATION OF ONE ROOF DECK
- INSTALLATION WITH A ROOF SLOPE UP TO 85 ° IS POSSIBLE
- AT THE TIME OF INSTALLATION THE SHINGLES' TEMPERATURE MUST BE NOT LESS THAN 5°C.